

**AXOR Universal Softsquare Shelf 12"**

Finishes : Part no. : **42838000**



**Features**

- Wall-mounted
- For rail mounting, requires 2x # 42870XXX (for asymmetric installation, only one set is needed)
- Mounting possible with toilet paper roll holder #42836XXX (adaptor #42870XXX necessary)
- Material frame: solid Brass
- Material shelf: Safety glass
- With mounting material
- Concealed fastening
- Diameter of drilled hole: 6 mm
- Suitable for installation inside shower compartment

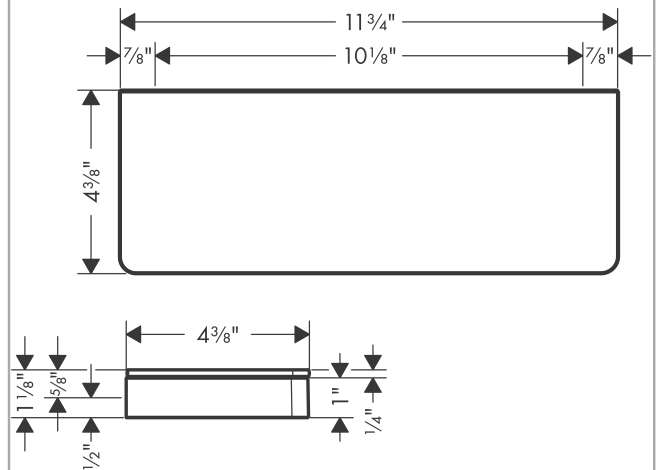
**Item details**

List Price \$ 422.00

**Product image**



**Scale drawing**



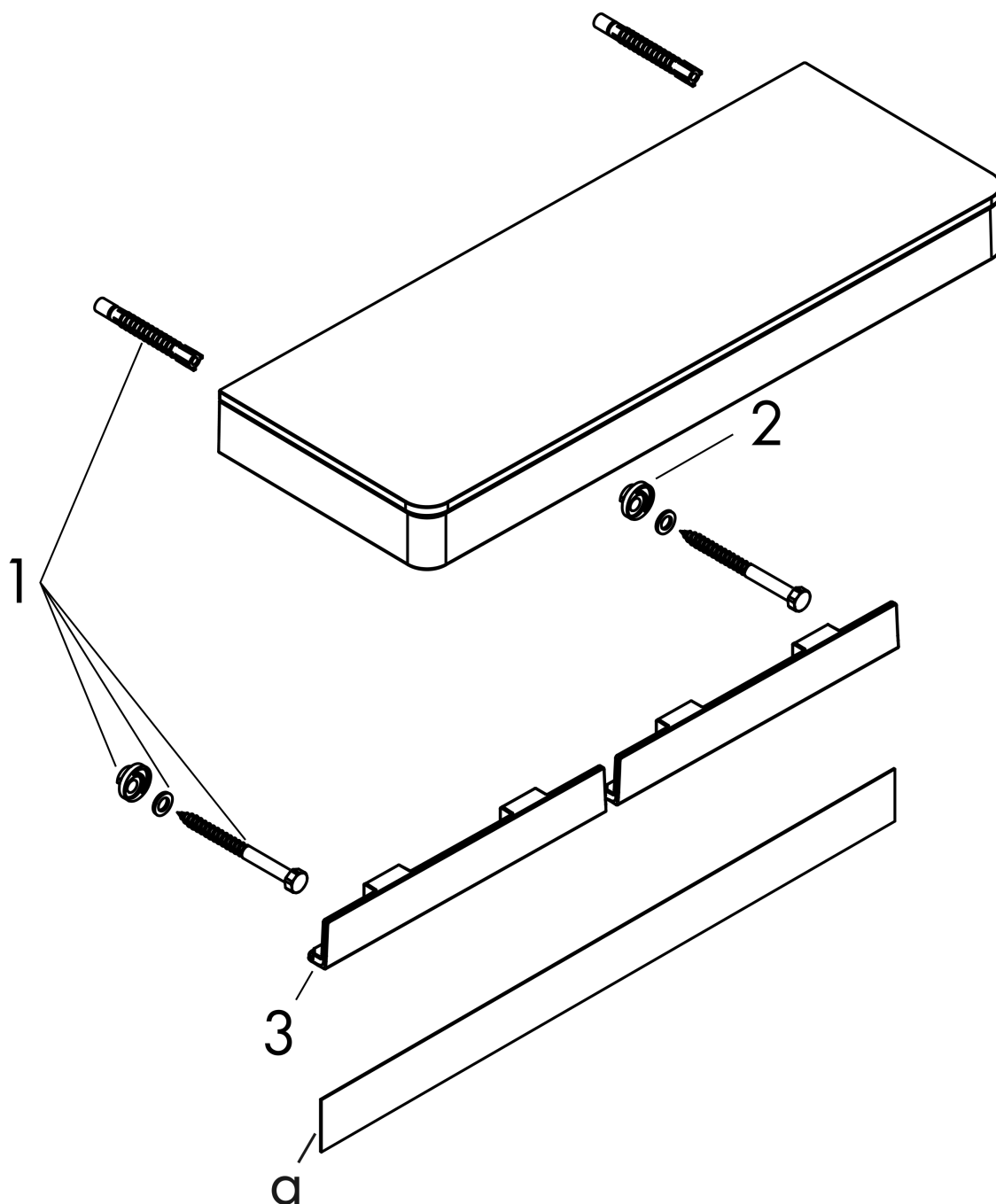
**AXOR Universal Softsquare  
Shelf 12"**

Finishes : Part no. : **42838000**



**Exploded drawing**

Year of production: >11/14



## AXOR Universal Softsquare

### Shelf 12"

Finishes : Part no. : **42838000**



### Spare parts list

Year of production: >11/14

Pos.		Part no.	Price	PU
1	mounting set	92841000	-	1
2	excentric socket	97604000	-	1
3	cover	92427000	-	1
a	cover	42891000	-	1
b	set of adapters	42870000	-	1
c	mounting kit for two-sided glass montage	42841000	-	1